

**INSTALLATION INSTRUCTION**

Thank you for the purchase of our product. Please read the instruction before mounting and installing.

The device is an electromechanical room thermostat for industrial use with external, type **T15**, or internal, type **T15-DV**, temperature adjustment.

**PLACEMENT OF THE THERMOSTAT**

The thermostat is designed to be surface mounted directly onto the wall, or a plane surface. It should be placed approximately 1.5 m above the floor level, when it is used for temperature regulation. Ensure and allow free air circulation around it. Draught and direct sunlight, or other heat sources, must be avoided. It can affect the thermostat function.

**MOUNTING OF THE THERMOSTAT**

Mounting is made using the two holes in the base of the thermostat.

Follow these steps:

- 1 - Remove the front part by unscrewing the four screws.  
**Caution!** For the type **T15**, with external temperature adjustment, **do not remove the knob** because it is fixed on the front part.
- 2 - Remove the two protective taps, covering the holes in the base of the thermostat.
- 3 - Fix the thermostat on the wall by using two screws and replace the two protective taps.
- 4 - Proceed with the electrical connection, as shown here below.
- 5 - Replace the front part and tighten the cable gland.

**ELECTRICAL CONNECTION - WIRING**

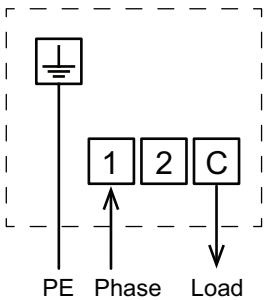
The electrical connection is ensured by means of screw terminals. Maximum diameter of the cable core cross section is 2.5 mm<sup>2</sup>. Follow the wiring diagram as per below. It is also shown on the label on the outside the thermostat.

**Note!** The thermostat is a double insulated electrical appliance. No requirement of a safety connection to earth/ground, however optional.

Terminal No 2, is not to be used/connected.

**Wiring**

Connect the wire as follows:



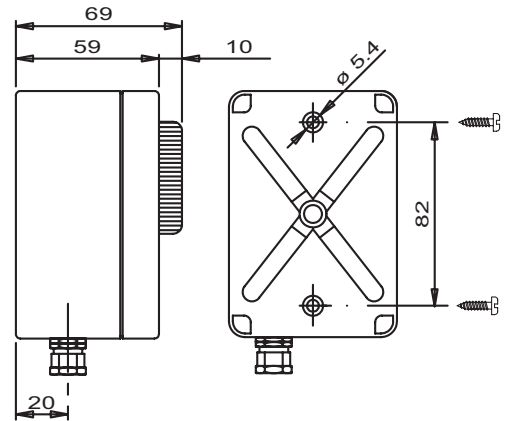
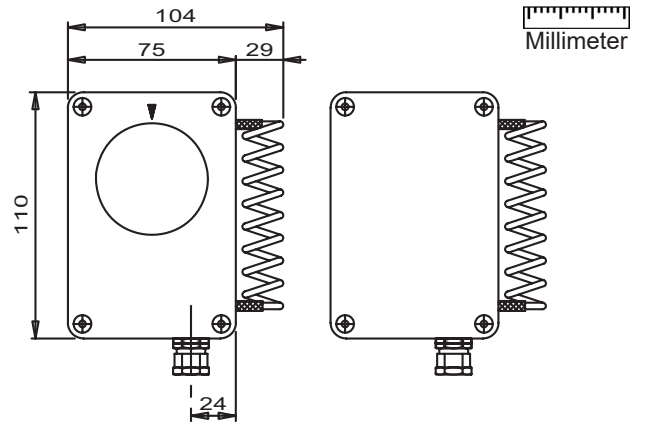
**MAINTENANCE**

The thermostat is maintenance free. It can be cleaned and rough-dried with a damp cloth, together with a mild soap if necessary.

**TECHNICAL SPECIFICATION**

Rated voltage	250V or 400V
Rated current	16A/250V or 6A/400V, resistive load
Minimum current	200 mA
Setting range, temperature	+5°C to +60°C
Switching differential	±1.0°C
Appliance and protection class	Class II - IP55
Number of cycles	100 000
CE marking	EN 60730 RoHS Directive 2011/65/EU

21.01.14-01EN



**WARNING – Important Safety Instructions**

Disconnect the power supply before carrying out any installation or maintenance work on this thermostat, and/or associated components.

The thermostat, and the associated components, should only be installed by a qualified and authorized electrician.

Electrical installation must be in accordance with appropriate national regulations.