

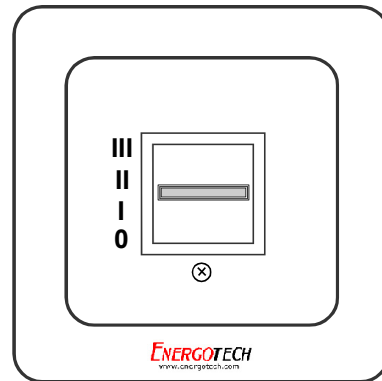
SP Switch / Output Regulator

The switch is a power regulator that connects the heating elements in series and parallel. It can control the output load in 4 steps, 0 - 1/4 - 1/2 - 1/1.

The switch is suitable for the Energotech heater with 2 heating elements, the types EE8, EE12, EE16 and EE20. It can also be used to control all kinds of electric heaters that contains 2 elements with symmetrical load, 230V~.

The switch is to be flush mounted into a wall, but it can also be surface mounted together with an optional extension frame. CE compliant.

The output regulators can easily be combined with our thermostats. Make the choice of the power output and control the temperature with the thermostat. Simple and functional!

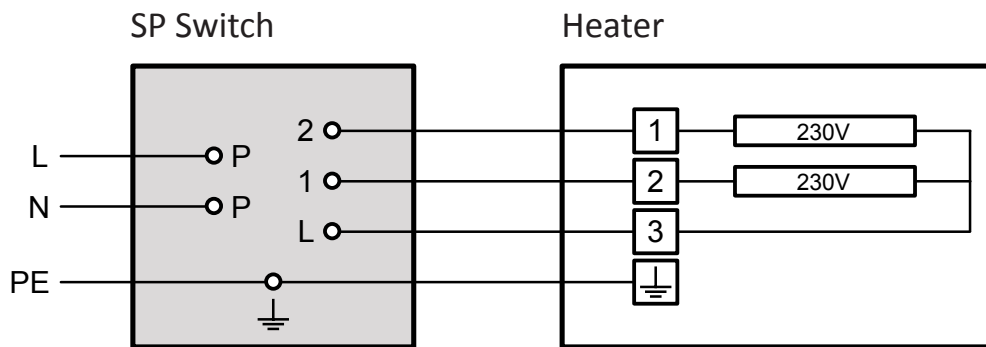


Manual switch with the following steps:

- 0 - The heater is switched off
- 1 - Connecting the elements in series, 1/4 output
- 2 - Connects only one element, 1/2 output
- 3 - Connecting the elements in parallel, 1/1 output

Wiring Diagram

Note! If the switch is connected to an Energotech, please remove the link between the heating elements, pole 1 and 2, in the terminal box of the heater.



Technical Specifications and Functions

Operating voltage	230V 1N~
Rated current	16A
Max voltage	250V
Output load (steps)	0 - 1/4 - 1/2 - 1/1
Protection class	IP20
Size (H x W x D)	84 x 84 x 37(57*) mm

*With extension frame